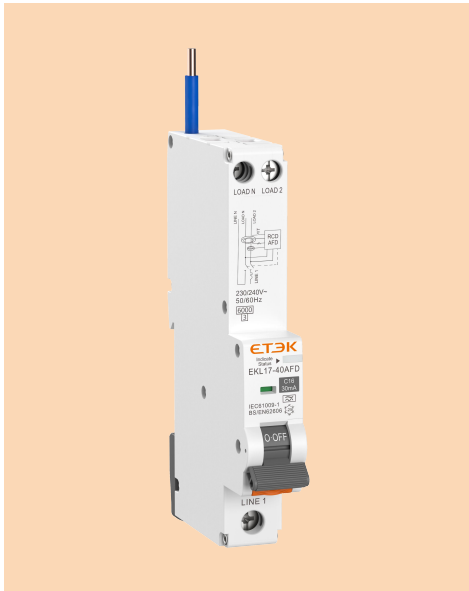


# EKL17-40AFD 6kA RCBO AFDD

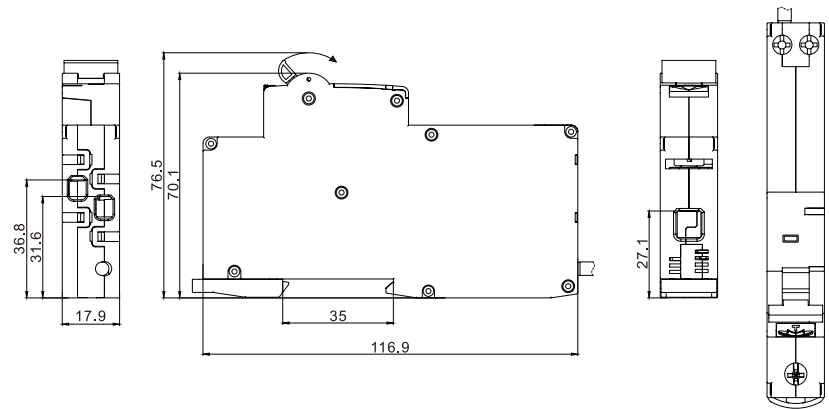


RCBO with Arc Fault Protective

Standard\_ IEC61009-1  
IEC62606



## Overall and Installation Dimension(mm)



## Technical Data

Standard	IEC/EN61009-1, IEC62026
Protection	Arc Fault Protection, Overload Protection, Short-Circuit Protection, Earth-Leakage Protection
Type of trip	Ground fault: Electronic Overload and short circuit: Thermo-magnetic
Type of protection (electric leakage)	AC,A
No.of poles	1P+N (N pole can be connected and disconnected)
Rated voltage (Ue)	230/240V~
Rated currents (In)	6,10,16,20,25,32,40A
Rated sensitivity currents (I $\Delta$ n)	10,30,100,300mA
Residual current off-time under (I $\Delta$ n)	≤ 0.1s
Rated residual making and breaking capacity (I $\Delta$ m)	500A(In≤50A)
Rated frequency	50/60Hz
Rated breaking capacity	6,000A
Energy Limiting Class	3
Rated impulse withstand voltage(1.2/50) (Uimp)	4,000V
Dielectric test voltage at Ind. Freq.for 1 min	2kV
Thermal release characteristic	(1.13-1.45) x In
Magnetic release characteristic	B:(3-5) x In, C:(5-10) x In
Electrical life	4,000 Cycles
Mechanical life	10,000 Cycles
Contact position indicator	Yes
Protection degree	IP20
Ambient temperature	-25°C to +40°C, Max.95% humidity
Terminal connection type	Cable/Pin-type busbar
Max.terminal size for cable	L(in): 25mm <sup>2</sup> , N/L(out): 16mm <sup>2</sup>
Max.tightening torque	L(in): 2.5N.m, N/L(out): 2N.m
Installation	Mounting on 35mm DIN rail
Connection	From bottom